

EC2001/85 COMPLIANT



Manual Roof Hatches

EC2001/85 COMPLIANT

*Botole Manuali
Trappes de Toit Manuelles
Manuelle Dachluken*



	DOUBLE ABS	GLASS	DARKENED GLASS	DOUBLE GLASS	METAL SHEET
	/	BT.1.4	BT.1.5	BT.1.9	/
	BT.1.1	BT.1.2	BT.1.3	BT.1.8	BT.4.2



Semi-Electric Roof Hatches

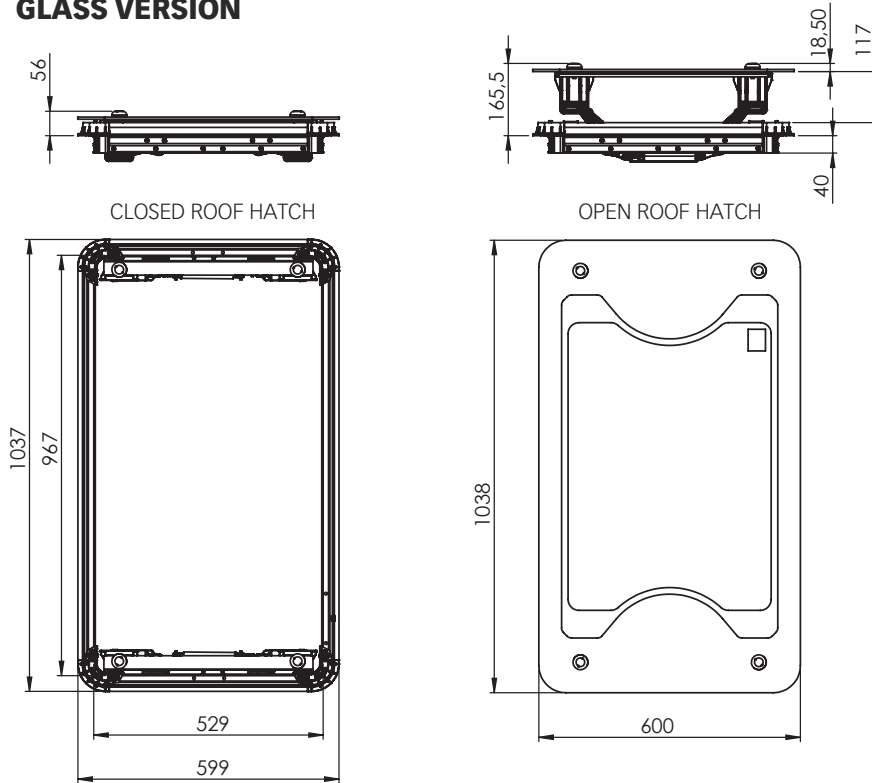
EC2001/85 COMPLIANT

*Botole Semielettriche
Trappes de Toit Semi-Electriques
Halb Elektrische Dachluken*

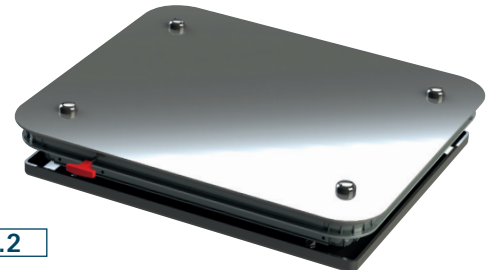
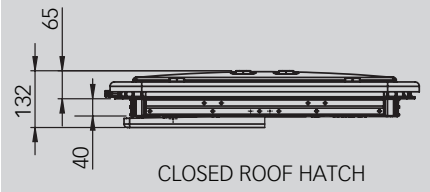


DOUBLE ABS		GLASS		DARKENED GLASS		DOUBLE GLASS		
12 V	24 V	12 V	24 V	12 V	24 V	12 V	24 V	
	/	/	BT.2.4	BT.2.12	BT.2.5	BT.2.13	BT.2.17	BT.2.18
	BT.2.1	BT.2.9	BT.2.2	BT.2.10	BT.2.3	BT.2.11	BT.2.8	BT.2.16

GLASS VERSION



PLASTIC VERSION



BT.1.1

BT.4.2

Roof Hatches



Electric Roof Hatches

*Botole Elettriche
Trappes de Toit Electriques
Elektrische Dachluken*

EC2001/85 COMPLIANT



DOUBLE ABS		GLASS		DARKENED GLASS		DOUBLE GLASS	
12 V	24 V	12 V	24 V	12 V	24 V	12 V	24 V
/	/	BT.3.4	BT.3.12	BT.3.5	BT.3.13	BT.3.17	BT.3.18
BT.3.1	BT.3.9	BT.3.2	BT.3.10	BT.3.3	BT.3.11	BT.3.8	BT.3.16

